



SS25 Series

V Port Control Valve

- **1/2" THRU 12"**
- **ANSI 150# THRU ANSI 600#**
- **FULL PORT**
- **UNI-DIRECTIONAL**
- **LOW HYSTERESIS**
- **EXCELLENT CONTROL**
- **316SS OR CARBON STEEL BODY**
- **BLOW OUT PROOF STEM**
- **HIGH QUALITY CASTINGS**

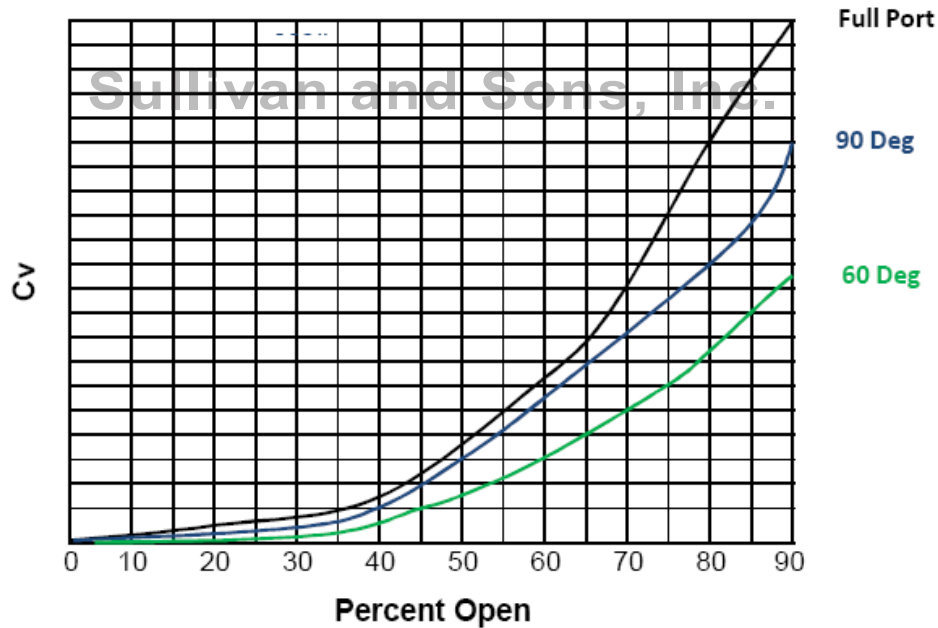


The SS25 Series V Port Ball Valves are American made and are an economical choice for your control valve needs. The benefit of the V Port ball valve over other control valves is that it shuts-off as well as it controls. SS25 Series V Port ball valves were designed specifically for the Pulp and Paper, Petrochemical, Oil and Gas Industries.

Features

- **Tight Shut-Off As Well As Control**
- **Excellent Control Characteristics**
- **Every Valve Is 100% Tested**
- **Low Hysterisis**
- **Fire Safe**
- **Emergency Sealing Ports For Seats and Stem Packing**
- **Higher Cv Than Standard Control Valves**

Characterized Control



Reliable Body Seal

The SS25 Series valves use high temperature spiral wound body gaskets contained in a tongue and groove.

Pressure Relieving Body Design

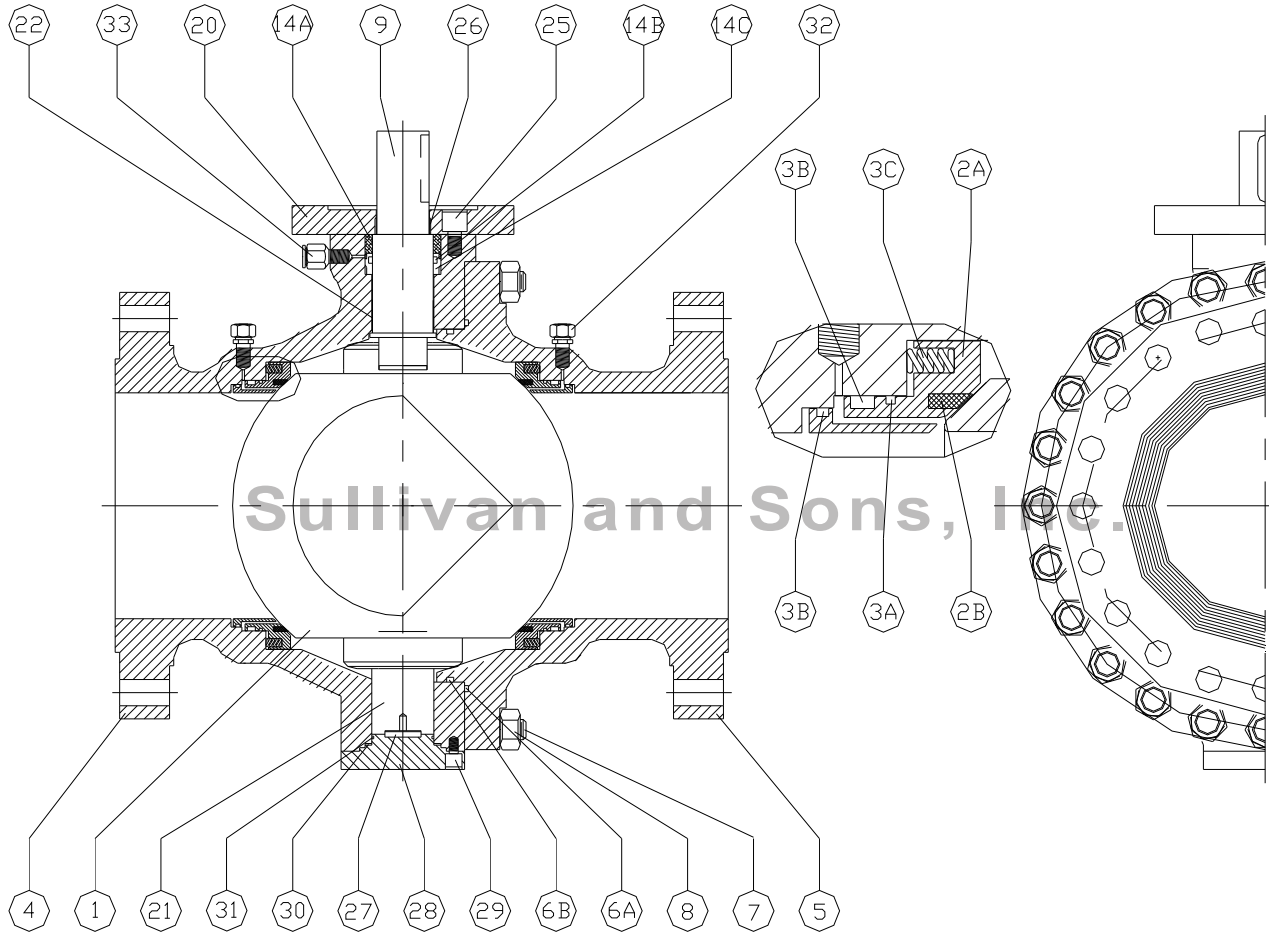
The seats are designed to relieve pressure in the body cavity to the lower pressure side for trunnion mounted designs.

Excellent Control

- Precision Machined V-Port.
- Great Rangeability, can exceed 800:1.
- Tight stem to ball contact provides for low Hysteresis.
- V-Port Ball design provides both excellent control and tight shut-off.
- Seats are pressure energized and provide tight shut-off at high pressures
- Higher flow rates than comparably sized globe valves means smaller pipeline sizes required.
- Increased Linear Response due to direct flow pattern through the valve body.

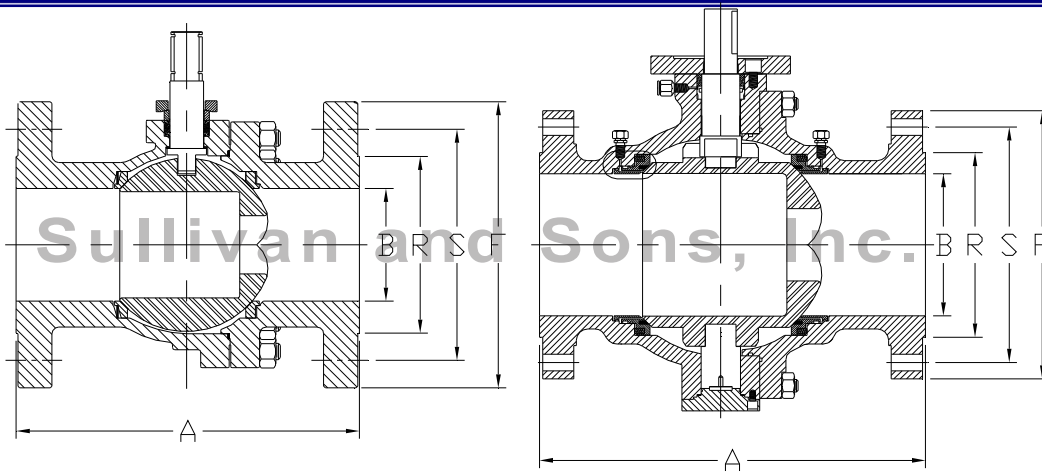
Specifications

- Flanged end connections meet ANSI B16.5
- Face to face meet ANSI B16.10. API 6D Long Pattern
- Minimum wall thickness meets ANSI B16.34
- Designed to API 6D
- Valves are tested per ANSI FCI 70-2-1976
- Fire Safe per API 607
- Complies with NACE MR 0175



NO.	DESCRIPTION	MATERIALS	ITEM
1	BALL	A351 GR. CF8M	1
2A	SEAT RETAINER	A351 GR. CF8M	2
2B	SEAT INSERT	DEVLON	2
3A	SEAT RETAINER SEAL	GRAPHITE	2
3B	SEAT RETAINER SEAL	VITON	4
3C	SPRING	INCONEL X-750	A/R
4	BODY	A216 GR. WCB, A351 GR. CF8M	1
5	TAIL	A216 GR. WCB, A351 GR. CF8M	1
6A	BODY GASKET	316 STAINLESS STEEL/SPIRAL WOUND	2
6B	BODY GASKET	VITON	2
7	BODY STUD	ASTM A193 GR. B7	A/R
8	BODY NUT	ASTM A194 GR. 2H	A/R
9	STEM	A276 TYPE 316	1
14A	STEM PACKING	GRAPHITE	A/R
14B	STEM PACKING	VITON	1
14C	STEM SEAL RETAINER	A276 TYPE 316	1
20	BONNET	A216 GR. WCB, A351 GR. CF8M	1
21	TRUNNION	316 STAINLESS STEEL	1
22	STEM BEARING	316 STAINLESS STEEL/GRAPHITE	1
25	BONNET BOLT	ASTM A193 GR. B7	A/R
26	BONNET STEM BEARING	REINFORCED GRAPHITE	1
27	BONNET THRUST BEARING	REINFORCED GRAPHITE	1
28	TRUNNION CAP	A216 GR. WCB, A351 GR. CF8M	1
29	TRUNNION CAP SCREW	ASTM A193 GR. B7	A/R
30	TRUNNION CAP GASKET	GRAPHITE	1
31	TRUNNION CAP GASKET	VITON	1
32	EMERGENCY SEALANT INJECTION	AISI-SAE 1020	1
33	DRAIN PLUG	AISI-SAE 1020	1

ANSI 150#, 300# AND 600# DIMENSIONS



ANSI 150: ALL SIZES
ANSI 300: ALL SIZES
ANSI 600: 1" THRU 6"

ANSI 600: 8" THRU 12"

ANSI CLASS 150

SIZE	1/2	3/4	1	1-1/4	1-1/2	2	2-1/2	3	4	5	6	8	10	12
A	4.25	4.61	5.00	5.50	6.50	7.00	7.85	8.00	9.00	14.00	15.50	18.00	21.00	24.00
∅B	0.58	0.78	1.00	1.25	1.50	2.00	2.55	3.00	4.00	5.00	5.99	7.90	9.85	11.82
∅R	1.38	1.69	2.00	2.50	2.88	3.62	4.12	5.00	6.19	7.31	8.50	10.62	12.75	15.00
∅S	2.38	2.75	3.12	3.50	3.88	4.75	5.50	6.00	7.50	8.50	9.50	11.75	14.25	17.00
∅F	3.50	3.88	4.25	4.62	5.00	6.00	7.00	7.50	9.00	10.00	11.00	13.50	16.00	19.00
WEIGHT	5	6	8	11	15	25	39	43	69	110	182	305	555	672

ANSI CLASS 300

SIZE	1/2	3/4	1	1-1/4	1-1/2	2	2-1/2	3	4	5	6	8	10	12
A	5.50	6.00	6.50	7.00	7.50	8.50	9.50	11.12	12.00	15.00	15.88	19.75	22.40	25.50
∅B	0.58	0.78	1.00	1.25	1.50	1.98	2.55	2.99	3.99	5.00	5.98	7.88	9.85	11.82
∅R	1.38	1.69	2.00	2.50	2.88	3.62	4.12	5.00	6.19	7.31	8.50	10.62	12.75	15.00
∅S	2.62	3.25	3.50	3.88	4.50	5.00	5.88	6.62	7.88	9.25	10.62	13.00	15.25	17.75
∅F	3.75	4.62	4.88	5.25	6.12	6.50	7.50	8.25	10.00	11.00	12.50	15.00	17.50	20.50
WEIGHT	6	8	11	14	23	28	47	74	106	160	255	395	715	875

ANSI CLASS 600

SIZE	1	1-1/2	2	2-1/2	3	4	6	8	10	12
A	8.50	9.50	11.50	13.00	14.00	17.00	22.00	26.00	31.00	33.00
∅B	1.00	1.50	2.00	2.50	3.00	4.00	6.00	8.00	10.00	12.00
∅R	2.00	2.88	3.62	4.12	5.00	6.19	8.50	10.62	12.75	15.00
∅S	3.50	4.50	5.00	5.88	6.62	8.50	11.50	13.75	17.00	19.25
∅F	4.88	6.12	6.50	7.50	8.25	10.75	14.00	16.50	20.00	22.00
WEIGHT	20	30	65	95	125	215	455	470	790	1355



SS25 SERIES 02-11

Sullivan and Sons

P.O. Box 1706
450 Covington Road
Haughton, LA 71037
www.sullivanandsons.com