

# P912 Pressure Regulator

- Versatile
- Control Accuracy
- Compact Design
- Removable Vent Screen

The Type P912 pressure regulator functions as a pneumatic pressure controlling device with an adjustable set point. The P912 can be used in a variety of applications in which accurate pressure regulation is required. The internal relief feature allows the regulator to respond quickly and to relieve excessive pressure.



## Applications

Applicable to a wide range of gaseous fluids, including air, natural gas and propane. Can be used as a LP regulator.

## Specifications

P912			
Inlet	1/4 NPT		
Outlet	1/4 or 3/8 NPT		
Temperature Range	-20 to 170 °F (-29° to 77 °C)		
Outlet Pressure Ranges	3-7 inches W.C.	7 to 17 mBAR	
	5-10 inches W.C.	12 to 25 mBAR	
	9.25-13 inches W.C.	23 to 32 mBAR	U.L. 144 Listed
	10 inches W.C.-1.05 psig	25 to 72 mBAR	
	0.8-2.7 psig	55-186 mBAR	U.L. 144 Listed
	2.7-5 psig	186-340 mBAR	U.L. 144 Listed
Maximum allowable inlet pressure	250 PSIG (17.3 BAR)		
Approximate Weight	1.3 lbs.	0.59 kg	

## Materials of Construction

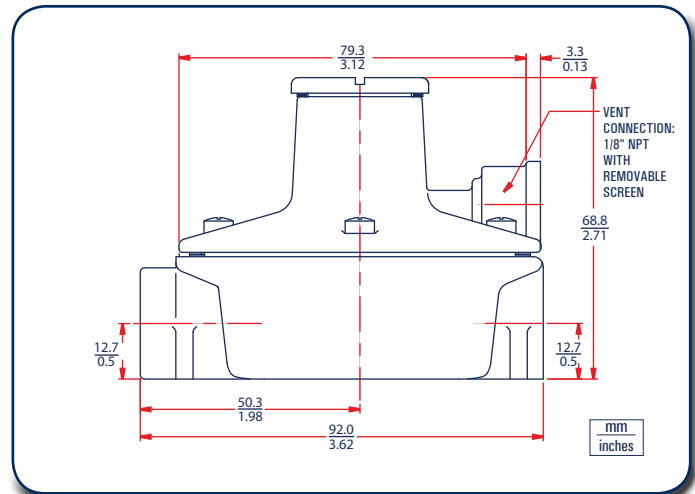
P912	
Body, Bonnet	Zinc
Diaphragm	Nitrile
Diaphragm Assembly	Zinc/Nitrile
Gaskets	Non-asbestos, CGR 2750
Pin	Stainless Steel
Vent screen	Monel
Spring	Zinc-Plated Steel
Diaphragm Piston	Zinc-Plated Steel

Output Pressure Settings	Outlet Pressure Setting	Spring Part Number	Offset	Capacity in SCFH (m3/h) of 0.6 Specific Gravity Natural Gas															
				Inlet Pressure, PSIG/BAR															
				5	10	25	50	75	100	150	200	250							
				0.34	0.69	1.7	3.4	5.2	6.9	10	14	17							
5 inches W.C. 12 mBAR	3 to 7 inches W.C. 7 to 17 mBAR	655-681-000	1 inch W.C. 2.5 mBAR	50	65	75	100												
7 inches W.C. 17 mBAR	5 to 10 inches W.C. 12 to 25 mBAR	655-682-000	1 inch W.C. 2.5 mBAR		75	112	155	155	155	155	155	155							
11 inches W.C. 27 mBAR	9-1/4 to 13 inches W.C. 23 to 32 mBAR	655-683-000	1 inch W.C. 2.5 mBAR		75	140	155	155	155	155	155	155	155						
15 inches W.C. 27 mBAR	10 inches W.C. to 1.05 PSIG 25 to 72 mBAR	655-684-000	2 inch W.C. 5 mBAR		68	100	135	150	160	190	200	200							
1 psig 69 mBAR	0.8 to 2.7 psig 55 to 186 mBAR	655-695-000	10%		40	40	85	90	100	155	160	185							
			20%		1.47	1.07	2.28	2.41	2.68	4.15	4.29	4.29	4.96						
2 psig 140 mBAR	0.8 to 2.7 psig 55 to 186 mBAR	655-695-000	10%		55	100	135	155	185	240	285	300							
			20%		1.47	2.68	3.62	4.15	4.96	6.43	7.64	8.04							
5 psig 340 mBAR	0.8 to 2.7 psig 55 to 186 mBAR	655-696-000	10%		50	85	105	130	145	200	260	300							
			20%		1.34	2.28	2.81	3.48	3.89	5.36	6.97	8.04							
	2.7 to 5 psig 186 to 340 mBAR	655-696-000	10%		70	120	180	240	300	400	450	500							
			20%		1.88	3.22	4.82	6.43	8.04	10.7	12.1	13.4							
					68	85	135	170	200	325	400	500							
					1.82	2.28	3.62	4.56	5.36	8.71	10.7	13.4							
					75	135	200	280	360	560	685	750							
					2.01	3.62	5.36	7.50	9.65	15.0	18.4	20.1							

## P912 Part Matrix

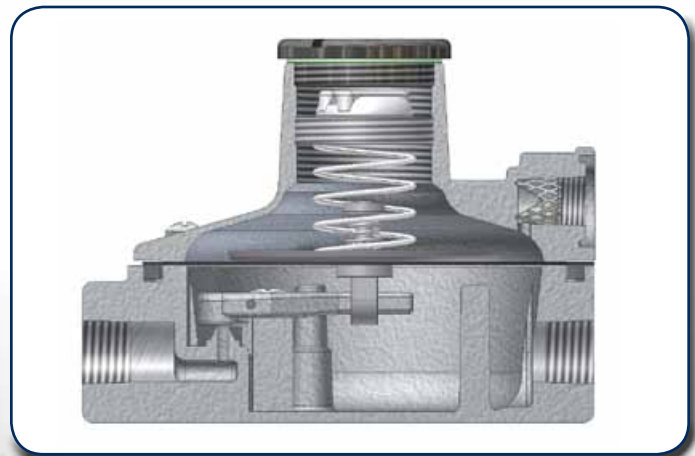
P912			1	0	0	0	0	0	
	↑	↑	↑	↑	↑	↑	↑	↑	Outlet Port Size
		<b>02</b>							1/4
		<b>03</b>							3/8
									Output Pressure
			<b>020</b>						3" - 7" W.C.
			<b>040</b>						5" - 10" W.C.
			<b>060</b>						9.25" - 13" W.C.
			<b>080</b>						10" W.C.-1.05 PSIG
			<b>100</b>						0.8 - 2.7 PSIG
			<b>120</b>						2.7 - 5 PSIG

## P912 Dimensions



## P912 Regulator Rebuild Kits

	Kit Includes	Part Number
P912	Arm Assembly (nitrile/zinc), Non-asbestos CGR 2750 Gasket, Monel Screen, Nitrile Diaphragm	971-912-000



## P912 Parts

Item	Description	Part Number
1	Body	3/8 NPT Port, Zinc
		1/4 NPT Port, Zinc
2	Arm Assembly, Nitrile/Zinc	For 3-7" W.C. and 5-10" W.C. Only
		For All other ranges
3	Rod, Stainless Steel	646-540-000
4	Machine Screw, 5/16", plated steel (qty. 2)	648-000-417
5	Machine Screw, 3/8", plated steel (qty. 6)	648-000-418
6	Backup spring, plated steel (2.7 - 5.0 PSIG Range)	655-685-000
	Backup spring, plated steel (All Ranges Other than 2.7 - 5 PSIG)	655-715-000
7	Pin, Stainless Steel	635-062-000
8	Range Spring	3-7" W.C. red, plated steel
		5-10" W.C. orange, plated steel
		9.25-13" W.C. cadmium, plated steel
		10" W.C.-1.05 PSIG, blue, plated steel
		0.8-2.7 PSIG, yellow, plated steel
	2.7-5 PSIG, green, plated steel	
9	Bonnet, Zinc	604-226-000
10	Closing Cap, Acetal	610-055-000
11	Gasket, Non-asbestos CGR 2750	624-064-000
12	Adjusting Screw, Acetal	648-000-419
13	Spring Seat, Plated Steel	650-128-000
14	Screen, Monel	647-019-000
15	Diaphragm Piston, Plated Steel	637-313-000
16	Poppet, Zinc	640-001-000
17	Diaphragm, Nitrile	(0.8 - 2.7 PSIG & 2.7 - 5.0 PSIG Ranges Only)
		(All Ranges Other than 0.8 - 2.7 PSIG & 2.7 - 5.0 PSIG)

